

M12 MALE 0° SHIELDED

PVC 12x0,14 shielded black 1,5 m

Male straight

M12, 12-pole

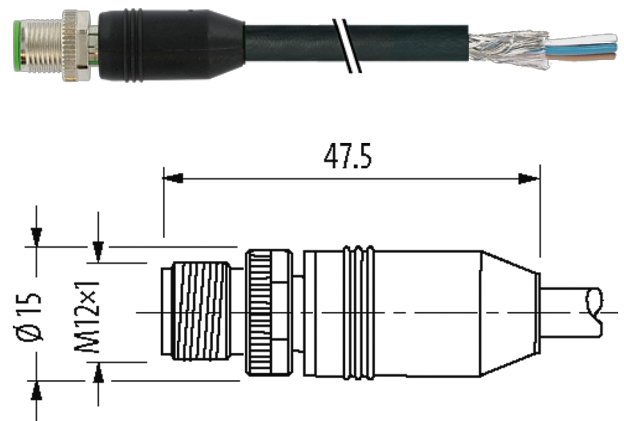
shielded

with cable sleeves

Plastic housings with good resistance against chemicals and oils.

The resistance to aggressive media should be individually tested for your application. Further details on request.

Further cable lengths on request.

[Link to Product](#)**Illustration**

Product may differ from Image

Approvals

cCSAus

* only for products with UL/GSA approved cable

Form

Form 19301

General data

Standards DIN EN 61076-2-101 (M12)

Temperature range -25...+85 °C, depending on cable quality

Cables

| | |
|----------------------------|---|
| No./diameter of wires | 12× 0.14 mm ² |
| Wire isolation | PVC (br, bl, wh, gn, pk, ye, bk, gr, rd, vi, grp, rdbl) |
| Outer Ø | 6.5 mm ±5% |
| Temperature range (fixed) | -30...+80 °C |
| Temperature range (mobile) | -5...+80 °C |
| Cable identification | 703 |
| Cable Type | 1 (PVC) |
| Approval (cable) | cURus (AWM-Style 2464/173) |
| Cable weight [g/m] | 73,70 |
| Resistor (core) | max. 138 Ω/km (20 °C) |
| Material (wire) | Cu wire, bare |
| Single wire Ø (core) | 0.1 mm |

| | |
|------------------------------------|--|
| Construction (core) | 18× 0.1 mm (multi-strand wire class 5) |
| Diameter (core) | 12× 0.14 mm ² |
| AWG | similar to AWG 26 |
| Material (wire isolation) | PVC |
| Material property (wire isolation) | CFC-, cadmium-, silicone- and lead-free, matt, low-adhesion, machine easy to process, abrasion-resistant |
| Shore hardness (wire isolation) | 45 ±5 D |
| Wire-Ø incl. isolation | 1.05 mm ±5% |
| Color/numbering of wires | br, rd, gr, bk, ye, pk, gn, wh, bl, rdbl, grpk, vi |
| Stranding combination | Twisted wires rdbl, grpk and vi, over it all other wires are twisted |
| Shield | yes |
| Material (jacket) | PVC |
| Material property (jacket) | CFC-, cadmium-, silicone- and lead-free, matt, low-adhesion, machine easy to process, abrasion-resistant |
| Shore hardness (jacket) | 85 ±5 A |
| Outer-Ø (jacket) | 6.5 mm ±5% |
| Color (jacket) | black |
| chemical resistance | good resistance to oil, gasoline and chemicals |
| thermal resistance | flame retardant UL 1581 VW1 / CSA FT1 |
| Nominal voltage | UL 300 V AC |
| Test voltage | 2000 V |
| Current load capacity | to DIN VDE 0298-4 |
| Temperature range (fixed) | -30...+80 °C |
| Temperature range (mobile) | -5...+80 °C |
| Bend radius (fixed) | 10× outer Ø |
| Bend radius (moving) | 10× outer Ø |
| Jacket Color | black |

Technical Data

| | |
|-------------------------------|--|
| Operating voltage | max. 30 V AC/DC |
| Operating current per contact | max. 1.5 A |
| Locking of ports | Screw thread (M12×1 mm) recommended torque 0.6 Nm, self-securing |
| Compression gland | M12 (SW13) |
| Protection | IP65, IP66K, IP67 inserted and tightened (EN 60529) |

Commercial data

| | |
|-----------------------|---------------|
| country of origin | DE |
| customs tariff number | 85444290 |
| EAN | 4048879188920 |
| eClass | 27279218 |
| Packaging unit | 1 |

Sketch

| | | |
|----|---|-----------|
| 1 | ■ | brown |
| 2 | ■ | blue |
| 3 | ■ | white |
| 4 | ■ | green |
| 5 | ■ | pink |
| 6 | ■ | yellow |
| 7 | ■ | black |
| 8 | ■ | gray |
| 9 | ■ | red |
| 10 | ■ | violet |
| 11 | ■ | gray/pink |
| 12 | ■ | red/blue |
| | | shield |

Product may differ from Image